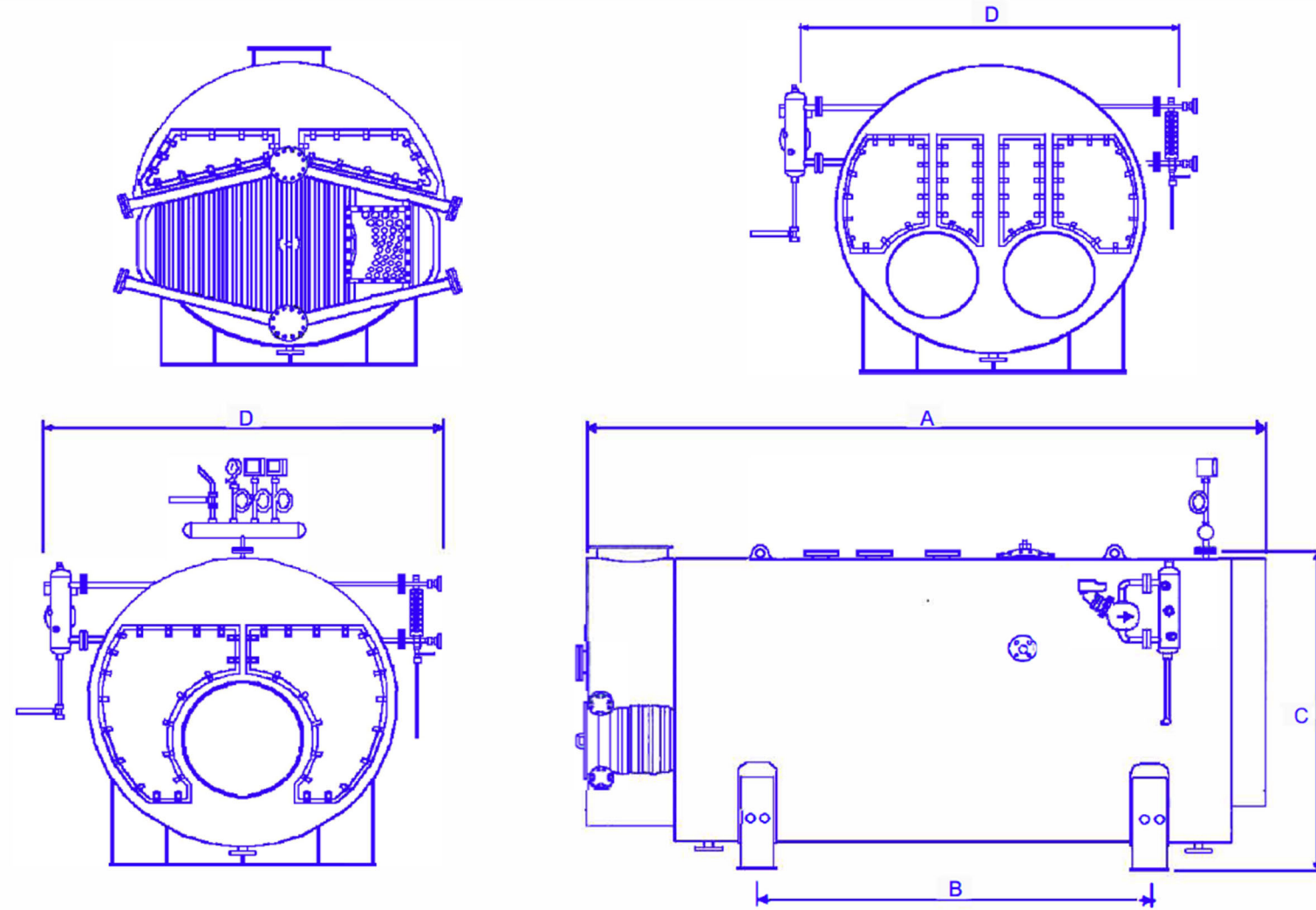




**Calderas Industriales S.P.A**

Las Higueras N°2569 – La Pintana - Santiago -Chile  
E-mail: ventas@calderasindustriales.cl



**TABLA DE CALDERAS MFG – CALDERAS PIROTUBULARES CON CAMARA DE RETORNO ACUOTUBULAR**

MODELO	UNIDAD	M 100 FG	M 125 FG	M 150 FG	M 175 FG	M 200 FG	M 225 FG	M 250 FG	M 275 FG	M 300 FG	M 350 FG	M 400 FG	M 450 FG	M 500 FG	M 550 FG	M 600 FG	M 700 FG
Cap. Nominal de y/a 100°C	Kg / hr	4,536	5,670	6,804	7,938	9,072	10,206	11,340	12,474	13,608	15,876	18,114	20,412	22,680	24,948	27,216	32,660
Cap. Efectiva Vapor a 10,34 bar agua 105°C	Kg / hr	4.372	5,475	6,558	7,651	8,744	9,387	10,930	12.023	13.117	15.303	17.489	19.675	21.865	24.047	26.234	30,606
Dimensión "A"	mm	4,400	5,175	5,572	5,875	6,360	6,360	6,625	6,625	6,875	7,125	6,360	6,360	6,625	6,625	6,875	7,125
Dimensión "B"	mm	2,000	2,700	3,100	3,400	3,600	3,600	4,200	4,200	4,400	4,600	3,600	3,600	4,200	4,200	4,200	4,600
Dimensión "C"	mm	2,770	2,770	2,936	3,110	3,240	3,350	3,450	3,700	3,950	4,150	4,150	4,350	4,050	4,270	4,270	4,270
Dimensión "D"	mm	2,600	2,600	2,710	2,900	3,100	3,200	3,300	3,400	3,700	3,900	3,900	4,100	4,100	4,300	4,300	4,300
Dimensión "E"	mm	2,220	2,220	2,410	2,560	2,700	2,800	2,900	3,150	3,370	3,600	3,600	3,800	3,850	3,970	3,970	3,970
Consumo FUEL Oil	Kg / hr	301	375	450	525	600	675	750	825	900	1,050	1,201	1,351	1,501	1,651	1,801	2,162
Consumo Gas Natural	Nm3 / hr	348	433	520	606	693	780	865	953	1040	1,213	1,386	1,560	1,733	1,907	2,080	2,496
Numero de Fogones	c / u	1	1	1	1	1	1	1	1	1	1	1	2	2	2	2	2
Diámetro Chimenea	mm	410	510	510	540	540	610	610	660	660	720	770	870	870	950	950	1,100
Diámetro salida vapor	mm	125	150	150	150	150	200	200	200	200	200	200	250	250	250	300	300
Diámetro agua alimentación	mm	50	50	50	50	50	50	65	65	65	65	65	65	80	80	80	80
Peso Calde sin agua	kg	11,481	12,800	18,000	20,000	21,000	22,500	26,500	29,00	31,800	34,800	37,800	41,800	44,500	47,800	52,500	58,500
Peso Caldera con agua	kg	20,300	22,632	32,000	36,000	38,000	39,900	46,000	50,500	51,000	62,000	66,000	71,900	78,700	83,500	92,900	103,500